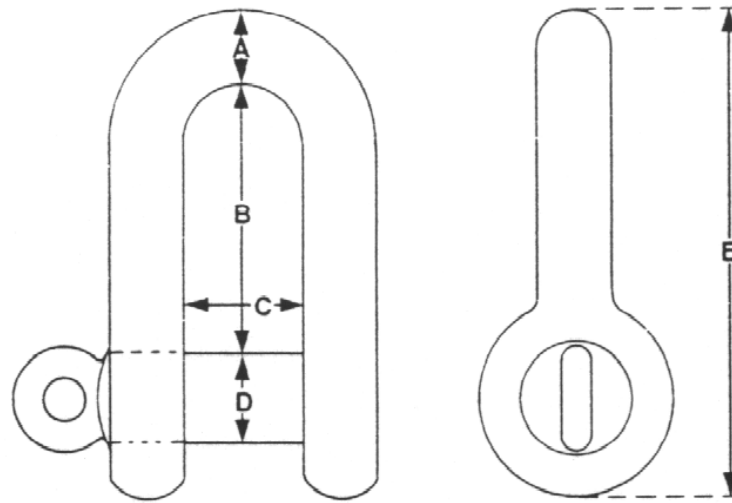


ANNEX A

SAFE WORKING LOADS OF RIGGING EQUIPMENT

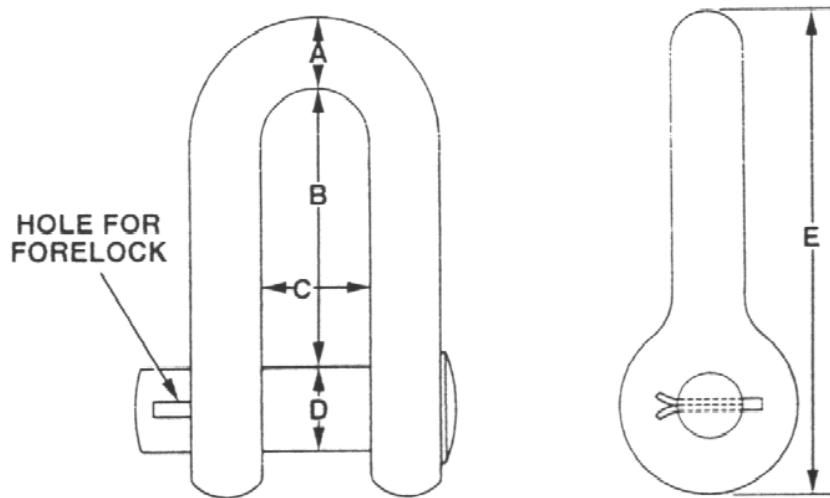
- 1. Straight Screw Shackle**
- 2. Straight Shackle with Pin and Forelock**
- 3. Straight Shackle with Split Pin**
- 4. Bow Screw Shackle**
- 5. Bow Shackle with Pin and Forelock**
- 6. Bow Shackle with Spilt Pin**
- 7. SWL of Blocks in Various Tackle Configurations**
- 8. SWL of Blocks in Various Tackle Configurations**
- 9. Natural Fibre Cordage**
- 10. Polyamide Ropes**
- 11. Polyester Ropes**
- 12. Polypropylene Ropes**
- 13. Polyethylene Ropes**

1. Straight Screw Shackle



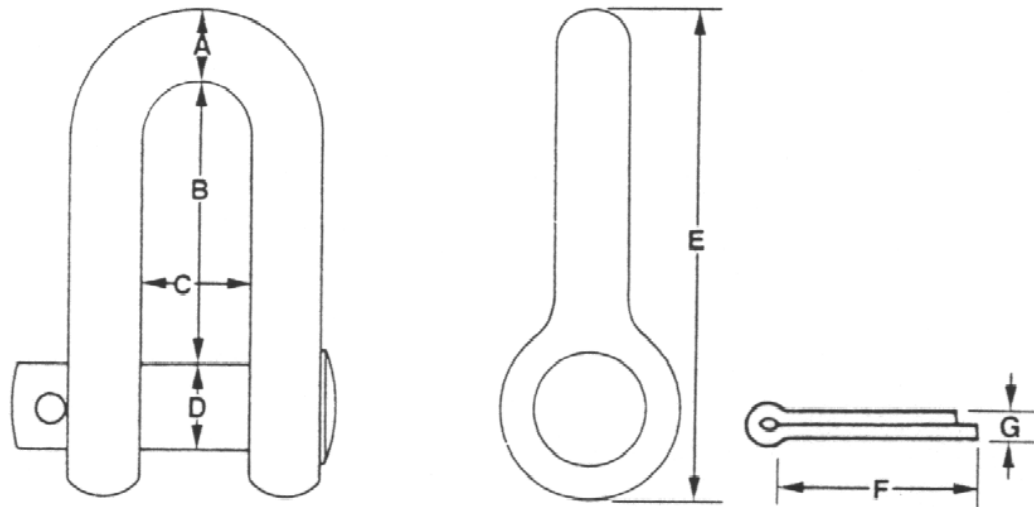
Naval Stores No	Nominal Size	Dimensions				SWL
		A	B	C	D	
	mm	mm	mm	mm	mm	tonnes
0263/721-6087	6	24	10	10	45	0.3
0263/721-6088	10	35	16	13	64	0.6
0263/721-6089	13	46	21	16	83	1.05
0263/721-6090	16	57	25	19	102	1.8
0263/721-6091	19	68	31	25	125	2.55
0263/721-6092	22	81	36	29	146	3.55
0263/721-6093	25	92	41	32	165	4.6
0263/733-1299	29	103	46	35	184	5.6
0263/721-6094	32	114	51	38	203	7.1
0263/721-6095	35	125	56	44	226	8.15
0263/721-6096	38	138	61	48	248	10.9
0263/721-6097	41	149	67	51	266	13.2
0263/721-6098	44	160	71	54	285	15.0
0263/721-6099	48	171	76	57	305	17.0
0263/721-6100	51	183	82	64	330	19.5

Straight Shackle with Pin and Forelock



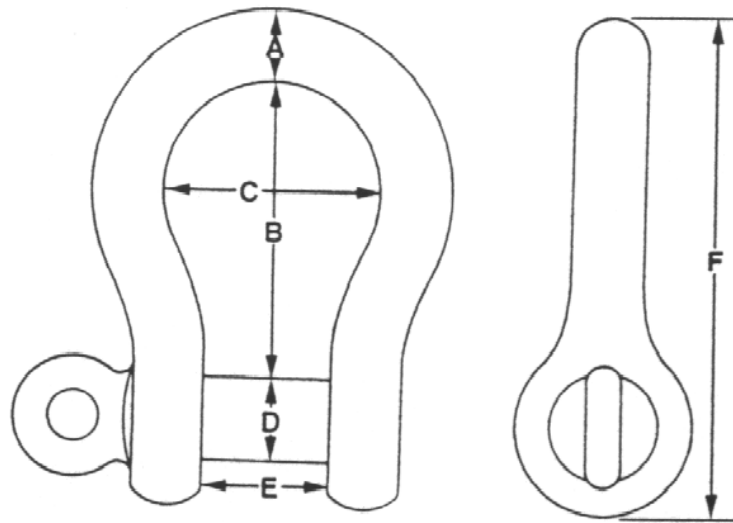
Naval Stores No	Nominal Size	Dimensions				SWL
		A	B	C	D	
	mm	mm	mm	mm	mm	tonnes
0263/543-4298	13	46	21	16	83	1.05
0263/543-4299	19	68	31	25	125	2.55
0263/543-4300	25	92	41	32	165	4.6
0263/543-4301	32	114	51	38	203	7.1
0263/543-4302	38	138	61	48	248	10.9
0263/543-4303	44	160	71	54	285	15.0
0263/543-4304	50	183	82	64	329	19.5

Straight Shackle with Split Pin



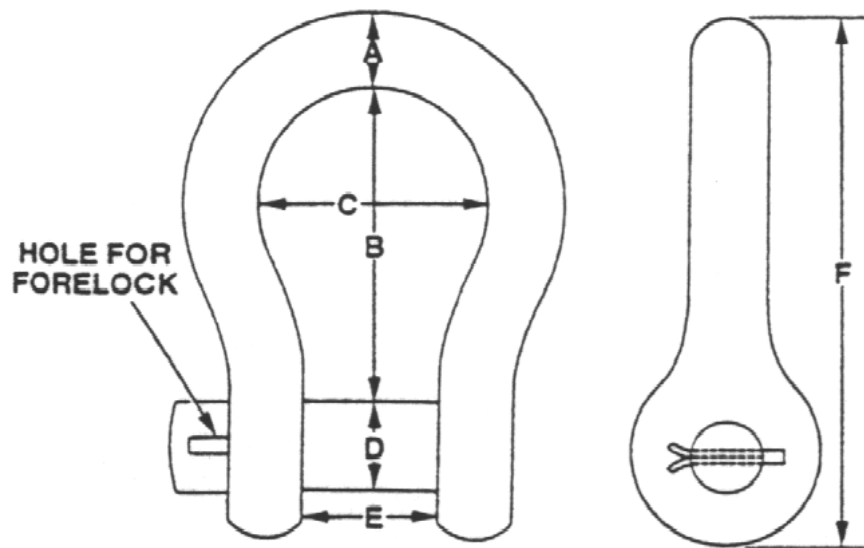
Naval Stores No	Nominal Size	Dimensions						SWL
		A	B	C	D	E	F	
	mm	mm	mm	mm	mm	mm	mm	tonnes
0263/543-4528	6	24	10	10	45	15	2.5	0.3
0263/543-4529	10	35	16	13	64	20	4.0	0.6
0263/543-4530	13	46	21	16	83	25	4.0	1.05
0263/543-4531	16	57	25	19	102	30	4.0	1.8
0263/543-4532	19	68	31	25	125	40	5.0	2.55
0263/543-4533	22	81	36	29	146	45	5.0	3.55
0263/543-4534	25	92	41	32	165	50	5.0	4.6
0263/543-4535	29	103	46	35	184	55	6.3	5.6
0263/543-4536	32	114	51	38	203	60	6.3	7.1
0263/543-4537	35	125	56	44	226	70	6.3	8.15
0263/543-4538	38	138	61	48	248	75	8.0	10.9
0263/543-4539	41	149	67	51	266	80	8.0	13.2
0263/543-4540	44	160	71	54	285	85	13.0	15.0
0263/543-4541	48	171	76	57	305	90	13.0	17.0
0263/543-4542	51	183	82	64	330	100	13.0	19.5
0263/543-4543	54	216	87	67	349	105	13.0	20.5
0263/543-4544	57	228	92	70	372	110	13.0	23.0
0263/543-4545	60	241	97	73	395	115	13.0	25.5

Bow Screw Shackle



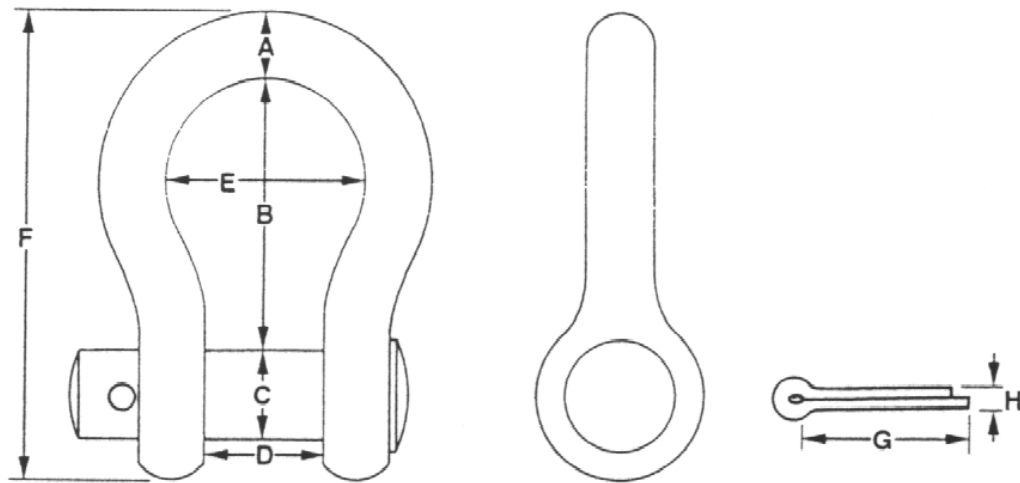
Naval Stores No	Nominal Size	Dimensions					SWL
	A	B	C	D	E	F	
	mm	mm	mm	mm	mm	mm	tonnes
0263/721-6101	6	25	19	10	13	46	0.15
0263/721-6102	10	38	29	13	17	67	0.45
0263/721-6103	13	51	38	16	24	88	0.75
0263/721-6104	16	64	48	19	29	109	1.25
0263/721-6105	19	76	57	25	35	133	2.05
0263/721-6106	22	89	67	29	41	154	2.80
0263/721-6107	25	102	76	32	46	175	3.80
0263/721-6108	29	114	86	35	52	195	4.85
0263/721-6109	32	127	95	38	57	216	5.85
0263/721-6110	35	140	105	44	64	241	7.35
0263/721-6111	38	152	114	48	70	262	8.65
0263/721-6112	41	165	124	51	75	282	9.65
0263/721-6113	44	178	133	54	81	303	11.7
0263/721-6114	48	191	143	57	86	326	13.2
0263/721-6115	51	203	152	64	92	350	15.25

Bow Shackle with Pin and Forelock



Naval Stores No	Nominal Size	Dimensions							SWL
		A	B	C	D	E	F	G	
	mm	mm	mm	mm	mm	mm	mm	mm	tonnes
0263/543-4291	13	51	38	16	24	88	0.75	13	51
0263/543-4292	19	75	57	25	35	132	2.05	19	75
0263/543-4293	25	102	76	32	46	175	3.80	25	102
0263/543-4294	32	127	95	38	57	216	5.85	32	127
0263/543-4295	38	152	114	48	70	262	8.65	38	152
0263/543-4296	44	178	133	54	81	303	11.70	44	178
0263/543-4297	51	203	152	64	92	349	15.25	51	203

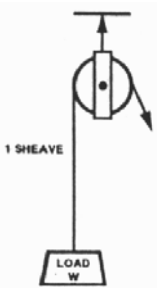

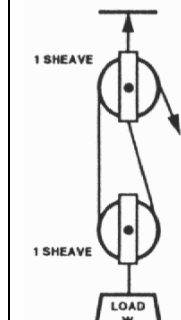
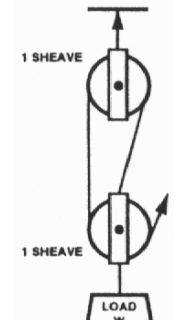
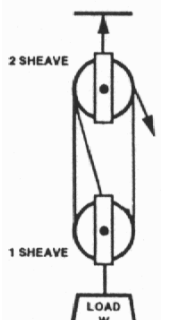
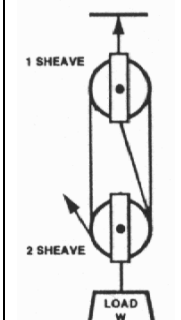
Bow Shackle with Split Pin



Naval Stores No	Nominal Size	Dimensions							SWL
		A	B	C	D	E	F	G	
	mm	mm	mm	mm	mm	mm	mm	mm	tonnes
0263/543-4546	6	25	10	13	19	46	15	2.5	0.15
0263/543-4547	10	38	13	17	29	67	20	4.0	0.45
0263/543-4548	13	51	16	24	38	88	25	4.0	0.75
0263/543-4549	16	64	19	29	48	109	30	4.0	1.25
0263/543-4550	19	76	25	35	57	133	40	5.0	2.05
0263/543-4551	22	89	29	41	67	154	45	5.0	2.8
0263/543-4552	25	102	32	46	76	175	50	5.0	3.8
0263/543-4553	29	114	35	52	86	195	55	6.3	4.85
0263/543-4554	32	127	38	57	95	216	60	6.3	5.85
0263/543-4555	35	140	44	64	105	241	70	6.3	7.35
0263/543-4556	38	152	48	70	114	262	75	8.0	8.65
0263/543-4557	41	165	51	75	124	282	80	8.0	9.65
0263/543-4558	44	178	54	81	133	303	85	13.0	11.7
0263/543-4559	48	191	57	86	143	325	90	13.0	13.2
0263/543-4560	51	203	64	92	152	350	100	13.0	15.25
0263/543-4561	64	254	76	114	191	432	115	13.0	22.85

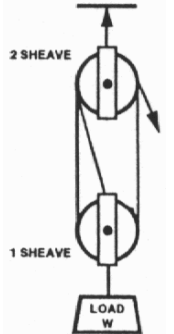
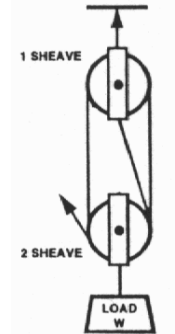
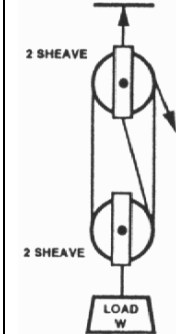
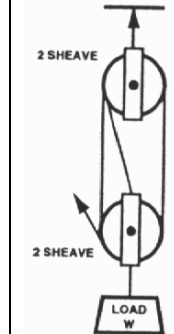
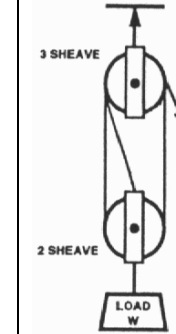

MAXIMUM LOAD TO BE LIFTED (TONNES)

(Assuming standing and moving blocks are of the same SWL, and fall is of the required strength)

NATO STOCK No	SWL ON HEAD FITTINGS TONNES	PROOF LOAD TONNES	SINGLE WHIP	RUNNER	DOUBLE WHIP (D)	DOUBLE WHIP (A)	LUFF/JIGGER/HANDY BILLY (D)	LUFF/JIGGER/HANDY BILLY (A)
								
0246/521-2794	1.0	2.0	0.5	1.0				
/521-2795	2.0	4.0	1.0	2.0				
/521-2796	4.0	8.0	2.0	4.0				
/521-0663	2.0	4.0	1.0	2.0				
/521-0664	4.0	8.0	2.0	4.0				
/521-0665	6.0	12.0	3.0	6.0				
/463-3880	0.315	0.63	0.158	0.315				
0246/521-0660	2.0	4.0	1.0	2.0	1.33	2.0	1.5	2.0
/521-0661	4.0	8.0	2.0	4.0	2.67	4.0	3.0	4.0
/521-0662	6.0	12.0	3.0	6.0	4.0	6.0	4.5	6.0
/463-3858	0.375	0.75	0.188	0.375	0.25	0.375	0.28	0.375
/521-2797	1.0	2.0	0.5	1.0	0.67	1.0	0.75	1.0
/521-2798	2.0	4.0	1.0	2.0	1.33	2.0	1.5	2.0
/521-2799	4.0	8.0	2.0	4.0	2.67	4.0	3.0	4.0

MAXIMUM LOAD TO BE LIFTED (TONNES)

(Assuming standing and moving blocks are of the same SWL, and fall is of the required strength)

NATO STOCK No	SWL ON HEAD FITTINGS TONNES	PROOF LOAD TONNES	LUFF/ JIGGER/ HANDY BILLY (D)	LUFF/ JIGGER/ HANDY BILLY (A)	TWO FOLD PURCHASE (D)	TWO FOLD PURCHASE (A)	3 X 2 PURCHASE (D)	3 X 2 PURCHASE (A)
								
0246/463-3860	0.65	1.3	0.488	0.65	0.52	0.65	0.54	0.65
/463-3870	1.75	3.5	1.313	1.75	1.4	1.75	1.458	1.75
/463-3876	0.5	1.0	0.375	0.5	0.4	0.5	0.417	0.5
/463-3878	1.0	2.0	0.75	1.0	0.8	1.0		
/463-3881	0.5	1.0	0.375	0.5	0.4	0.5		
0246/521-2791	1.0	2.0	0.75	1.0	0.8	1.0	0.83	1.0
/521-2792	2.0	4.0	1.5	2.0	1.6	2.0	1.67	2.0
/521-2793	4.0	8.0	3.0	4.0	3.2	4.0	3.33	4.0
/441-9645	0.15	0.3	0.113	0.15	0.12	0.15		
/525-0093	0.228	0.456	0.171	0.228	0.182	0.182		
0579/539-9821	1.0	2.0	0.75	1.0	0.8	1.0	0.83	1.0

Natural Fibre Cordage

Type	Size	Naval Stores No	Minimum breaking load	Supply denomination
Manila	8mm	0350/571-3074	0.45 tonnes	220m
	12mm	0350/125-0228	1.06 tonnes	220m
	16mm	0350/942-5025	2.03 tonnes	220m
	20mm	0350/571-3077	3.25 tonnes	220m
	24mm	0350/942-5026	4.57 tonnes	220m
Sisal	5mm	0350/942-5039	0.33 tonnes	220m
	12mm	0350/942-5042	0.95 tonnes	220m
	16mm	0350/942-5044	1.80 tonnes	220m
	20mm	0350/942-5046	2.85 tonnes	220m
	24mm	0350/942-5048	4.07 tonnes	220m
	28mm	0350/942-5050	5.33 tonnes	220m
	72mm	0350/942-5060	32.7 tonnes	220m
Coir	16mm	0350/571-3032	N/A	220m
	24mm	0350/571-3034	N/A	220m
	20mm	0350/942-5018	N/A	220m
	24mm	0350/571-3034	N/A	220m
	32mm	0350/942-5019	N/A	220m
	40mm	0350/942-5020	N/A	220m
	48mm	0350/942-5021	N/A	220m
	64mm	0350/571-3041	N/A	220m
	80mm	0350/571-3042	N/A	220m

Polyamide Ropes

Type	Size	Naval Stores No	Minimum breaking load	Supply denomination
Polyamide H/L	6mm	0350/923-7119	0.75 tonnes	220m
Polyamide H/L	8mm	0350/923-7121	1.35 tonnes	220m
Polyamide H/L	10mm	0350/923-7123	2.08 tonnes	220m
Polyamide H/L	12mm	0350/923-7124	3.00 tonnes	220m
Polyamide H/L	16mm	0350/923-7126	5.30 tonnes	220m
Polyamide H/L	20mm	0350/923-7128	8.30 tonnes	220m
Polyamide H/L	24mm	0350/923-7129	12.0 tonnes	220m
Polyamide H/L	28mm	0350/923-7130	15.8 tonnes	220m
Polyamide H/L	32mm	0350/923-7131	20.0 tonnes	220m
Polyamide H/L	36mm	0350/923-7132	24.8 tonnes	220m
Polyamide H/L	40mm	0350/923-7133	30.0 tonnes	220m
Polyamide H/L	44mm	0350/923-7134	35.8 tonnes	220m
Polyamide H/L	56mm	0350/923-7136	56.0 tonnes	220m
Polyamide H/L	64mm	0350/923-7137	72.0 tonnes	220m
Polyamide braided	21mm	0350/549-1 143	9.50 tonnes	160m
Polyamide braided	40mm	0350/251-4429	36.0 tonnes	65m*
Polyamide braided	56mm	0350/251-4430	69.0 tonnes	65m*
Polyamide braided	64mm	0350/251-4431	90.0 tonnes	65m*
Polyamide multi-plait	48mm	0350/794-8239	42.0 tonnes	220m
Polyamide multi-plait	64mm	0350/543-0143	72.0 tonnes	220m
Polyamide multi-plait	72mm	0350/543-0150	90.0 tonnes	220m
Polyamide multi-plait	80mm	0350/543-0149	110.0 tonnes	220m
Polyamide cord gunline	1.5mm	0350/571-3024	64 kg	160m 860m

Polyester Ropes

Type	Size	Naval Stores No	Minimum breaking load	Supply denomination
Polyester H/L	5mm	0350/923-7140	0.40 tonnes	220m
Polyester H/L	8mm	0350/923-7142	1.02 tonnes	220m
Polyester H/L	12mm	0350/923-7143	2.27 tonnes	220m
Polyester H/L	16mm	0350/923-7144	4.1 tonnes	220m
Polyester H/L	20mm	0350/923-7145	6.3 tonnes	220m
Polyester Superline	32mm	0350/744-2499	24.0 tonnes	156m
Polyester Superline	16mm	0350/746-5139	7.0 tonnes	220m
Polyester 8 plait blue	8mm	0350/529-7387	0.39 tonnes	150m
Polyester 16 plait blue	10mm	0350/529-7388	2.25 tonnes	150m
Polyester 16 plait blue	12mm	0350/529-7389	3.20 tonnes	150m
Polyester 16 plait blue	14mm	0350/529-7390	4.40 tonnes	150m
Polyester 16 plait blue	20mm	0350/529-7391	8.10 tonnes	150m
Polyester 8 plait red	6mm	0350/529-7392	0.30 tonnes	150m
Polyester 8 plait red	8mm	0350/529-7393	0.39 tonnes	150m
Polyester 16 plait red	10mm	0350/529-7394	2.25 tonnes	150m
Polyester 16 plait red	12mm	0350/529-7395	3.20 tonnes	150m
Polyester 16 plait red	14mm	0350/529-7396	4.40 tonnes	150m
Polyester 16 plait gold	12mm	0350/529-7397	3.20 tonnes	150m
Polyester 16 plait gold	14mm	0350/529-7398	4.40 tonnes	150m
Polyester 8 plait white	6mm	0350/529-7399	0.47 tonnes	150m
Polyester 8 plait white	8mm	0350/529-7400	0.56 tonnes	150m
Polyester 16 plait white	10mm	0350/529-7401	2.25 tonnes	150m
Polyester 16 plait white	12mm	0350/529-7402	3.20 tonnes	150m
Polyester 16 plait white	14mm	0350/529-7404	4.40 tonnes	150m
Polyester braided	5mm	0350/ 120-8768	0.40 tonnes	150m
Polyester braided	7mm	0350/571-3167	0.70 tonnes	150m
Polyester braided	8.5m	0350/120-8692	0.79 tonnes	150m
Polyester braided	16mm	0350/939-2764	4.1 tonnes	150m
Polyester cord	1.5mm	0350/520-9610	0.14 tonnes	510m

Polypropylene Ropes

Type	Size	Naval Stores No	Minimum breaking load	Supply denomination
Polypropylene H/L *	16mm	0350/075-0861	3.5 tonnes	220m
Polypropylene H/L *	20mm	0350/906-7361	5.37 tonnes	220m
Polypropylene H/L *	24mm	0350/375-2994	7.6 tonnes	220m
Polypropylene H/L	8mm	0350/529-9737	0.96 tonnes	220m
Polypropylene H/L	10mm	0350/447-1147	1.42 tonnes	220m
Polypropylene H/L	12mm	0350/525-6204	2.03 tonnes	220m
Polypropylene H/L	16mm	0350/571-3172	3.5 tonnes	220m
Polypropylene H/L	20mm	0350/906-7361	5.37 tonnes	220m

Polyethylene Ropes

Type	Size	Naval Stores No	Minimum breaking load	Supply denomination
Polyethylene H/L Orange	4mm	0350/571-3169	0.20 tonnes	300m
Polyethylene H/L Orange	8mm	0350/543-0141	0.70 tonnes	220m
Polyethylene H/L Orange	10mm	0350/571-3171	1.08 tonnes	220m